

# 250004-01 Fishing Boat



## Introduction

Welcome to the creation of your unique fishing boat! This model kit is designed to give you the foundation for a personal masterpiece.

## Creative Freedom

The steps and images below serve as a **recommended assembly guide**. However, you are free to partially deviate from this scheme and place most parts according to your own creative vision. See this model as your canvas!

## Preparation and Machining of PLA

The model is 3D-printed from **PLA (polylactide)**, a plastic that is easy to work with:

1. **Finishing:** Any small remnants from the 3D printing process can be cut away with a sharp hobby knife. Uneven areas can be smoothed with putty or carefully sanded.
2. **Important Sanding Tip:** If you sand the material for a smoother effect, do so **gently and deliberately**. If the PLA becomes too warm due to friction, it will start to 'smear', which considerably complicates the sanding process.
3. **Gluing:** The PLA parts can be excellently glued with super glue.
4. **Painting:** We **recommend** painting the parts before gluing them. Use acrylic paint, and for optimal adhesion and the best results, it is recommended to use a **primer suitable for plastics** beforehand.

## The Unique Finish: Into the Wild

The true beauty of this model lies in the combination of modern 3D-printed plastic and the rustic charm of natural materials.

We encourage you to **venture out into nature** and collect materials that will give your model a unique, realistic 'wooden' appearance.

- **Materials:** Think of birch bark, small twigs, or dried leaves.
- **Application:** For example, you can use birch bark to create a beautiful effect of aged wood. To do this, cut the bark into narrow strips and glue them onto the hull or deck like planks using super glue.
- **Getting Started:** The kit contains a small amount of bark and a few leaves to get you started. For detailed photos and instructions on applying the natural materials, **visit our website: [arjens.eu](http://arjens.eu)**.
-

## Safety Regulations

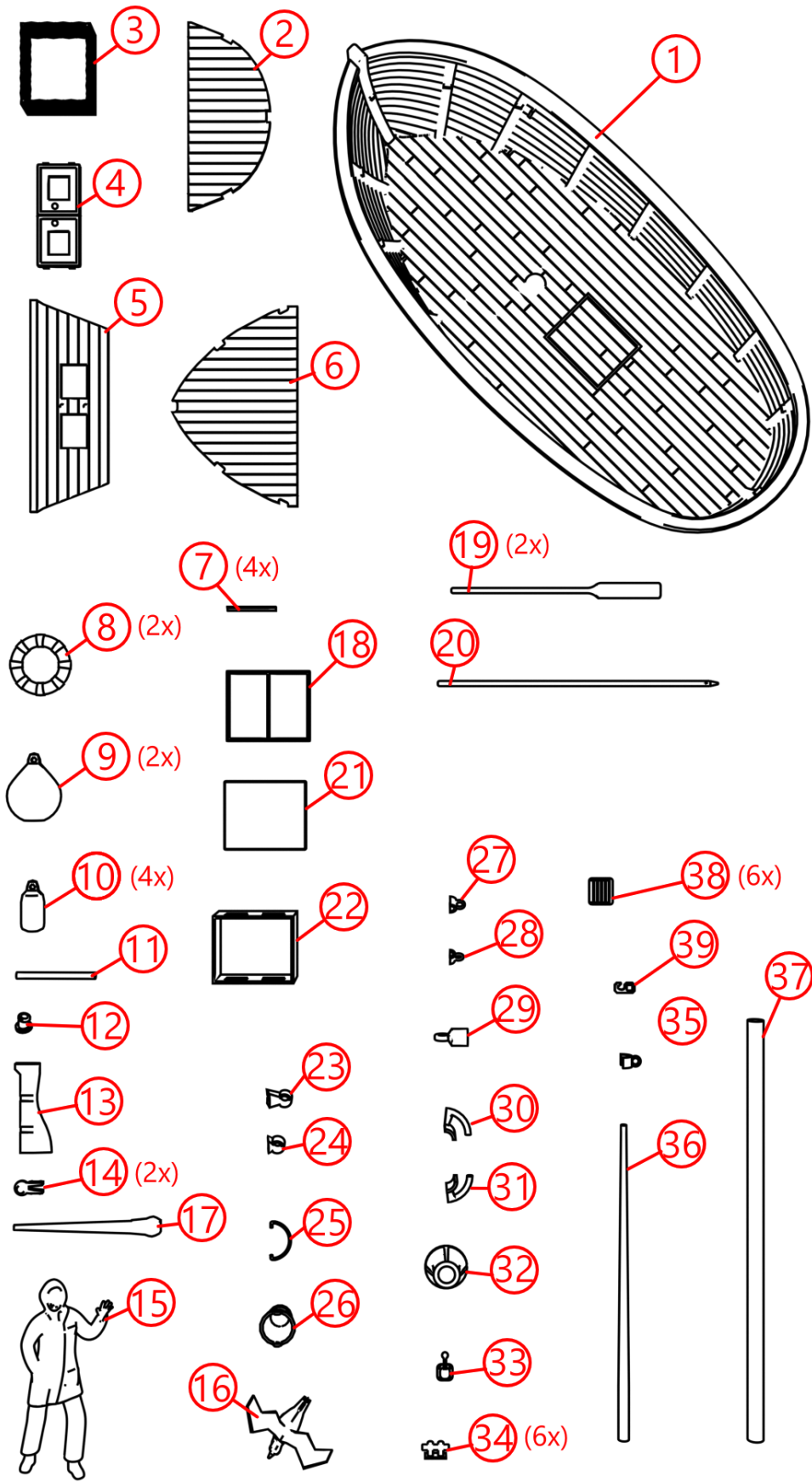
**This model kit is only suitable for ages 14 and older** due to the presence of small parts that pose a choking hazard. Ensure that small children and pets do not have access to the loose parts.

**Have fun building!**

## Part List

Nr.	Part Name	Quantity	Notes
1	Hull	1	
2	Aft Deck	1	
3	Basket	1	Accessory
4	Hatches	1	
5	Fore Bulkhead	1	
6	Fore Deck	1	
7	Corner Profile	4x	For motor casing
8	Lifebuoy (half)	2x	Must be glued together
9	Fender	2x	Large
10	Fender	4x	Small
11	Flagpole	1	Wood
12	Flagpole Holder	1	
13	Rudder Blade	1	
14	Hinge Pin	2x	For rudder
15	Fisherman	1	Accessory
16	Seagull	1	
17	Tiller	1	For rudder
18	Trim Strip	1	For motor cover
19	Paddle	2x	Accessory
20	Boat Hook	1	Accessory
21	Motor Cover	1	

<b>22</b>	Motor Casing	1	
<b>23</b>	Hinge Part (long)	1	For rudder, bottom
<b>24</b>	Hinge Part (short)	1	For rudder, top
<b>25</b>	Bucket Handle	1	
<b>26</b>	Bucket	1	
<b>27</b>	Cable Eyelet	1	For boom, points towards mast
<b>28</b>	Cable Eyelet	1	For boom, points away from mast
<b>29</b>	Boom Holder	1	Allows the boom to move
<b>30</b>	Boom Bracket	1	
<b>31</b>	Boom Bracket	1	
<b>32</b>	Mast Foot	1	
<b>33</b>	Morse Lever	1	For motor
<b>34</b>	Cleat	6x	Tie-off point for lines
<b>35</b>	Cable Eyelet	1	For mast
<b>36</b>	Boom	1	Wood
<b>37</b>	Mast	1	Wood
<b>38</b>	Grate	6x	For hatches and motor
<b>39</b>	Hook	1	For net
	Rope/Line	N/A	For mast and fenders
	Net	1	
	Birch Bark	1	As an example
	Dried Leaf	1	As an example

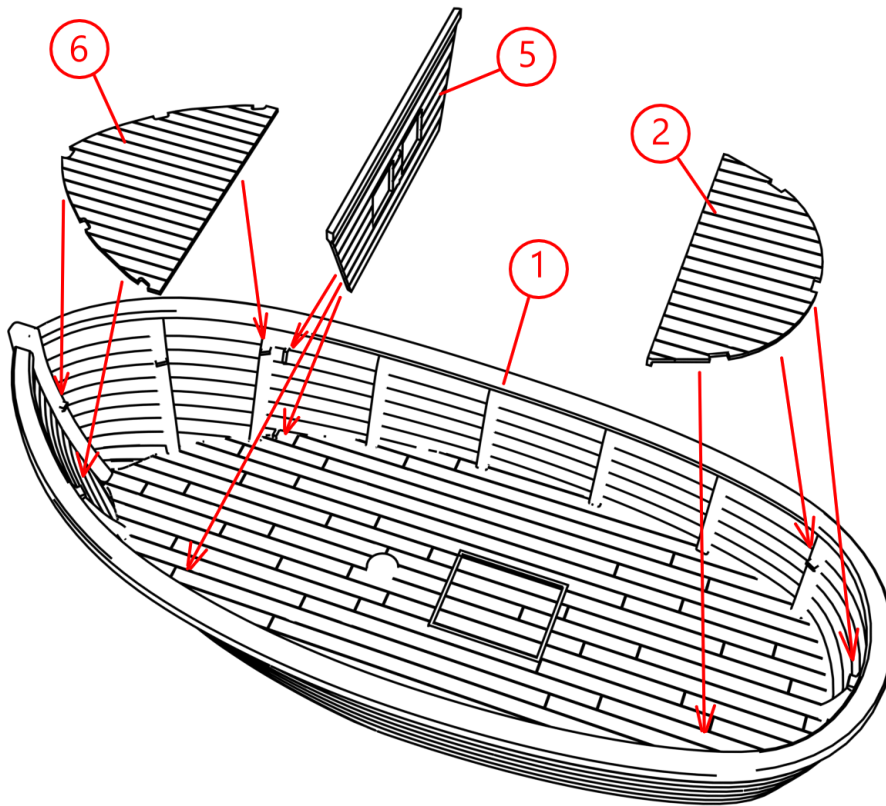


# Assembly Instructions

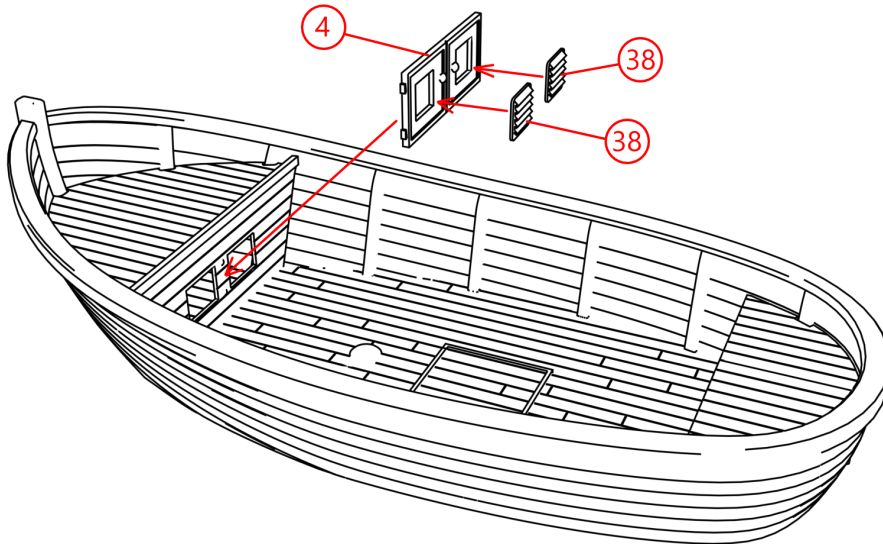
## Step 1: Assembly of the Decks

If you choose to use natural materials such as bark, ensure they are applied **before** assembly. Applying them after the parts are assembled can be very difficult.

Position the aft deck (2) , the fore bulkhead (5) , and the fore deck (6) onto the hull (1) using the tabs on part (1) and glue the parts.

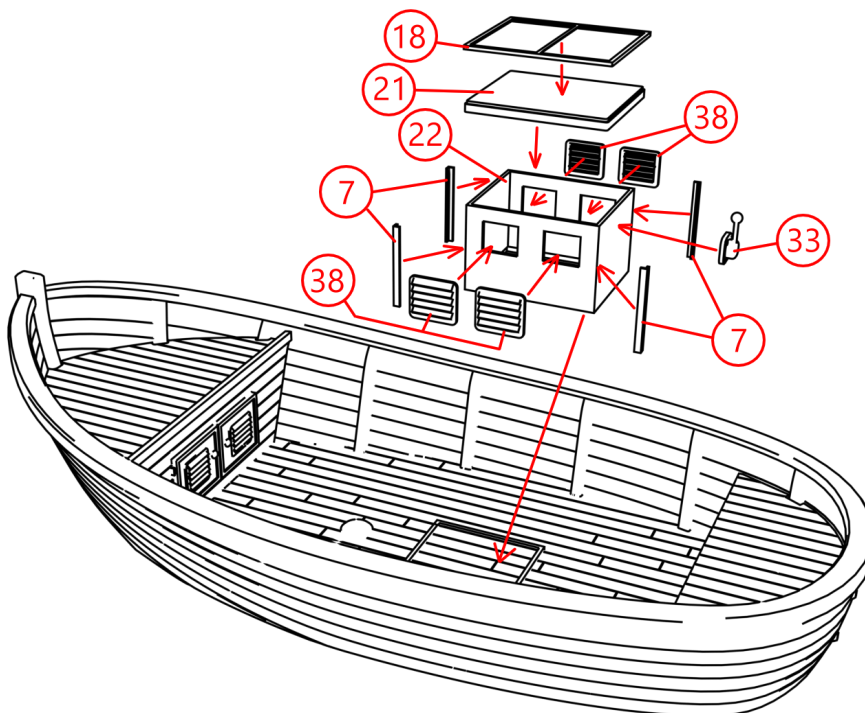


Then, glue two grates (38) onto the hatches (4) and glue this assembly onto the fore bulkhead (5).



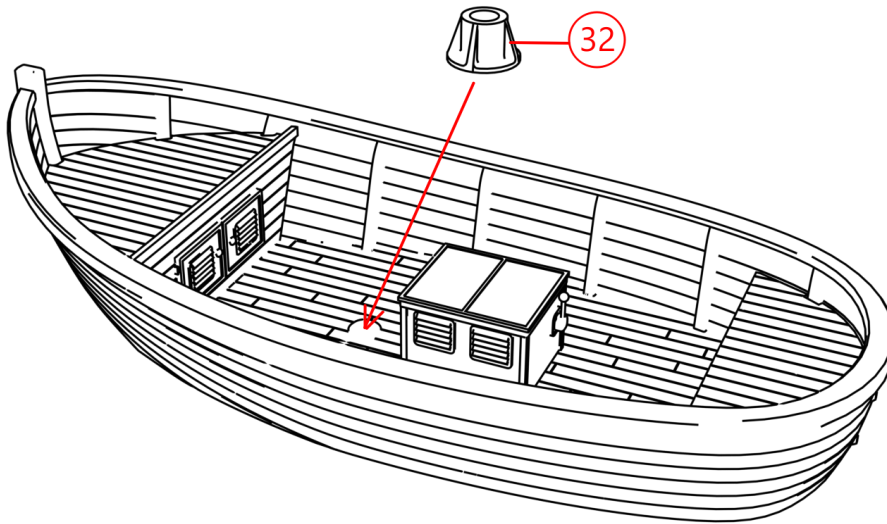
## Step 2: Motor Housing Assembly

The motor casing can now be assembled. The four grates (38), the four corner profiles (7), and the Morse lever (33) are glued onto the casing (22). The trim strip (18) must be glued onto the cover (21). The cover can then be glued onto the casing, or simply placed on top loosely. The entire assembly is then glued onto the hull (use the positioning edge on the floor of the hull).



## Step 3: Mount the Mast Foot

Attach the mast foot (32) onto the deck (use the protrusion on the deck for positioning).

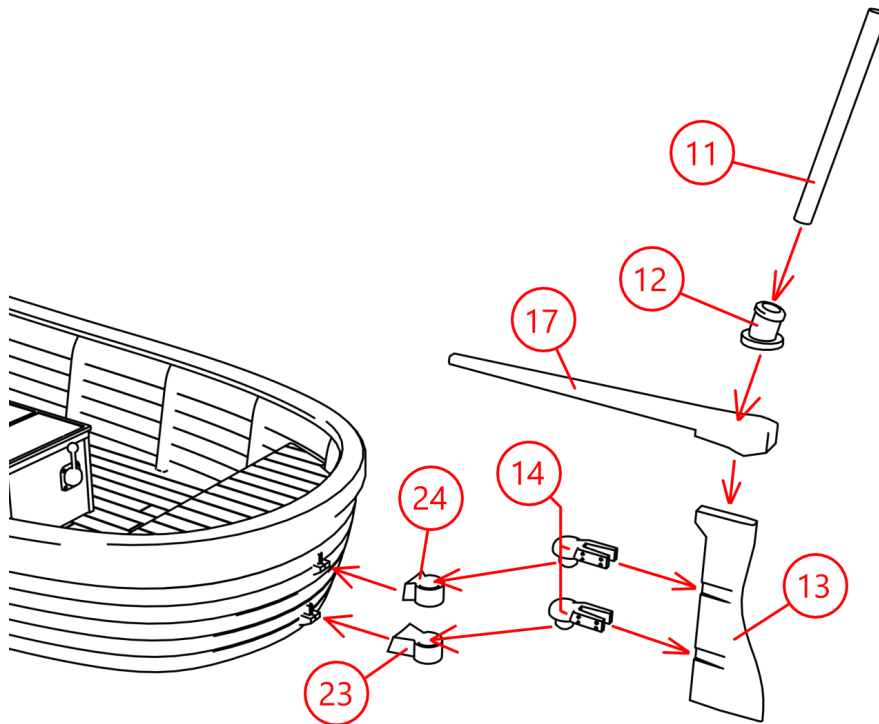


## Step 4: Rudder Assembly

To assemble the rudder, the two hinge pins (14) are attached to the rudder blade (13). The tiller (17) is also glued onto the rudder blade. Glue the flagpole holder (12) onto the tiller and insert the flagpole (11). Position the two hinge parts (23) and (24) on the tabs of the hull (1) and glue them firmly.

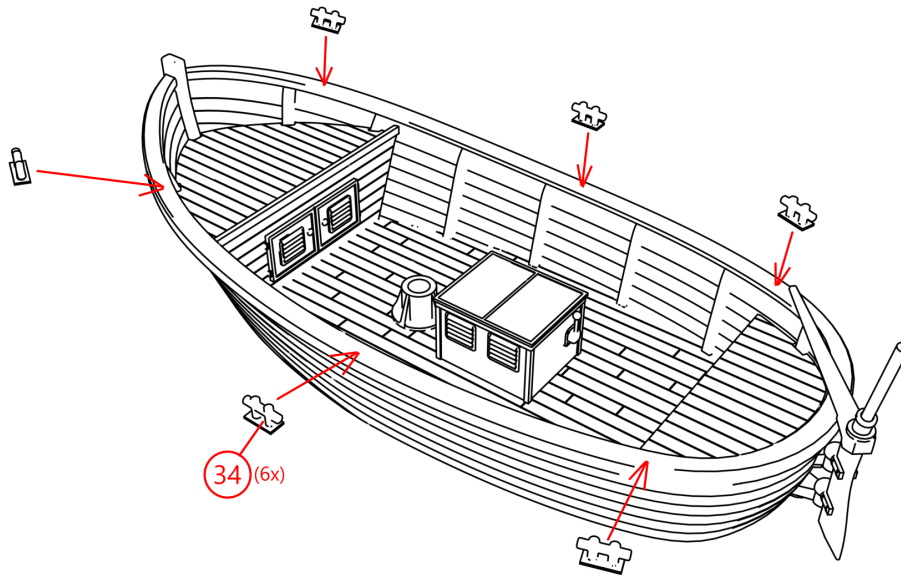
**Note:** Ensure the short hinge part (24) goes on the top tab and the long hinge part (23) goes on the bottom.

The assembled rudder can then be placed into the hinges.



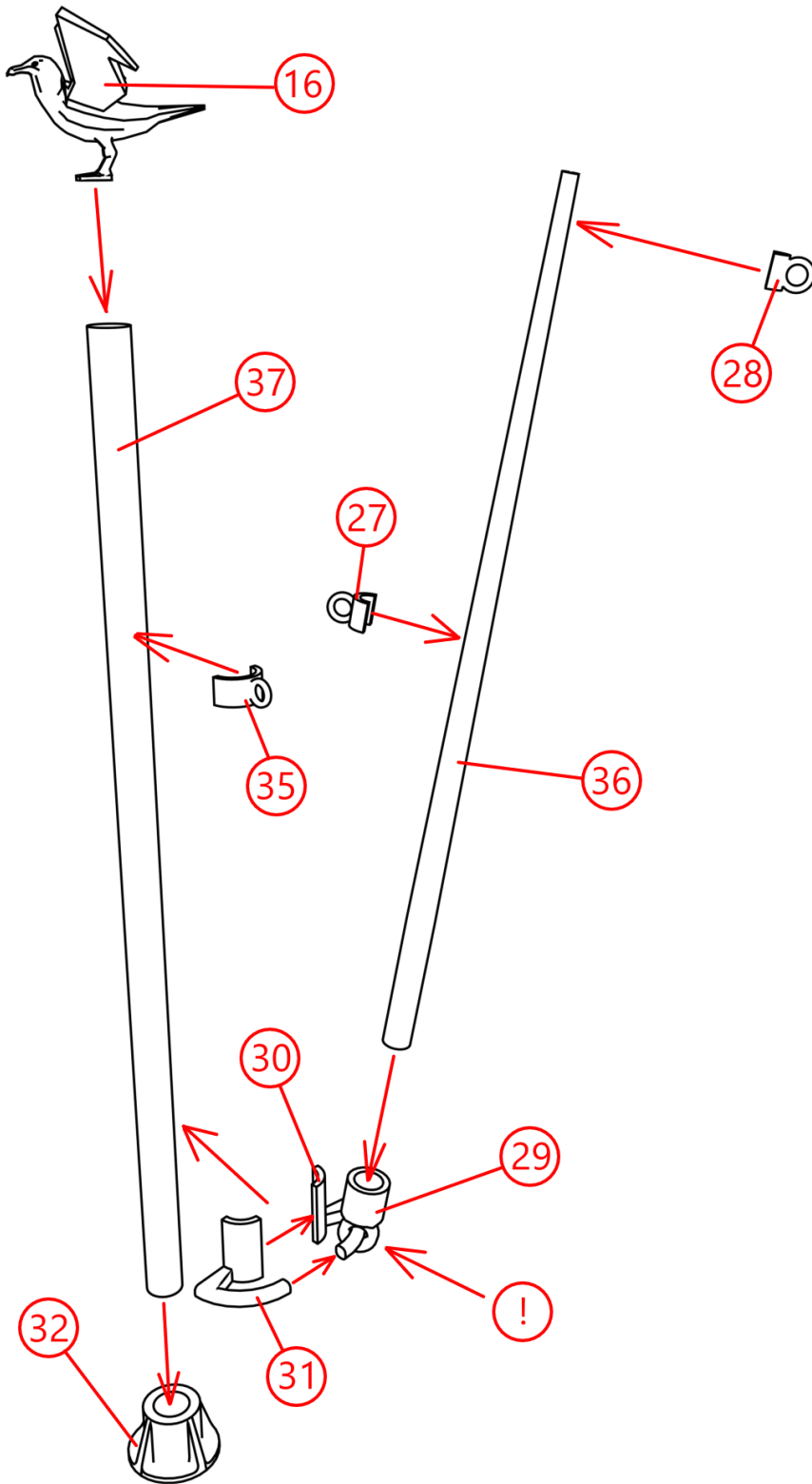
## Step 5: Mount Cleats

Mount the six cleats (34) on the edge of the hull (1) as indicated in the image below..



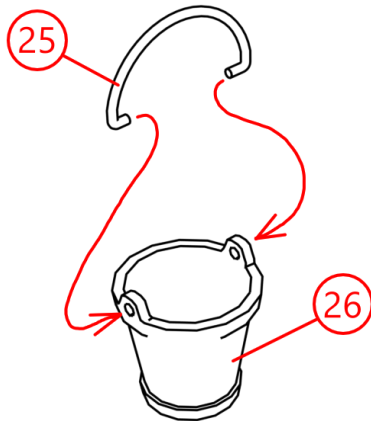
## Step 6: Mast Assembly

1. Slide the boom holder (29) over the boom bracket (30) and glue boom bracket (31) to boom bracket (30).
2. **Crucial Warning:** Ensure that the boom holder (29) is **not** glued and can still move!
3. Then glue this assembly onto the mast (37) at a distance of approximately 31 mm from the bottom of the mast.
4. Glue the cable eyelet (35) onto the mast at approximately 114 mm from the bottom of the mast.
5. Taper the boom (36) so that cable eyelet (27) fits well at approximately 60 mm from the bottom of the boom, and cable eyelet (28) fits well near the end of the boom.
6. Then glue both cable eyelets firmly, ensuring they are glued to opposite sides of the boom.
7. The boom (36) can now be glued into the boom holder (29). Ensure that cable eyelet (27) points towards the mast and cable eyelet (28) points away from the mast.
8. Finally, the seagull (16) can be glued on top of the mast. Of course, the seagull can also be placed elsewhere according to your own judgement.
9. The complete assembly can now be placed into the mast foot (32). Apply glue if necessary.



## Step 7: Bucket and Lifebuoy

The bucket handle (25) can simply be inserted into the holes of the bucket (26).



The lifebuoy is completed by gluing the two halves (8) together.

## Step 8: Attaching Lines and Accessories

### Attaching Lines

Use the supplied rope/line to tie the following lines:

1. Tie a line to the hook (39) and guide the rope through cable eyelet (28). Then secure the line to one of the cleats (34).
2. Tie another line to cable eyelet (27) and thread this line through cable eyelet (35). Secure this line to another cleat (34).
3. **Tip:** By adjusting the length of these lines, you can change the angle of the boom and the height of the hook. The net can be attached to the hook (39).
4. Attach lines to the fenders (9) and (10) and secure the lines to the remaining cleats (34) along the edge of the hull.

### Accessories and Decoration

Now it is time to position the accessories. These can be placed according to your own judgement:

- The basket (3).
- The lifebuoy (8).
- The paddles (19) and the boat hook (20).
- The fisherman (15). This figure is specifically designed to lean his hand against the mast.

## Share Your Masterpiece!

**Congratulations!** Your fishing boat is now assembled.

We are incredibly curious about your unique result and your findings about this model. Because every model is unique thanks to the natural materials, we are thrilled to see the different creations.

Send your photos and feedback to [info@arjens.eu](mailto:info@arjens.eu). The most beautiful and creative submissions will receive an honour spot on [arjens.eu](http://arjens.eu)!